

Ferrocement Cast-in-place Water Tank (75 Cu. M.)

Designed by:



ACECOMS, IFIC
School of Civil Engineering
Asian Institute of Technology (AIT)

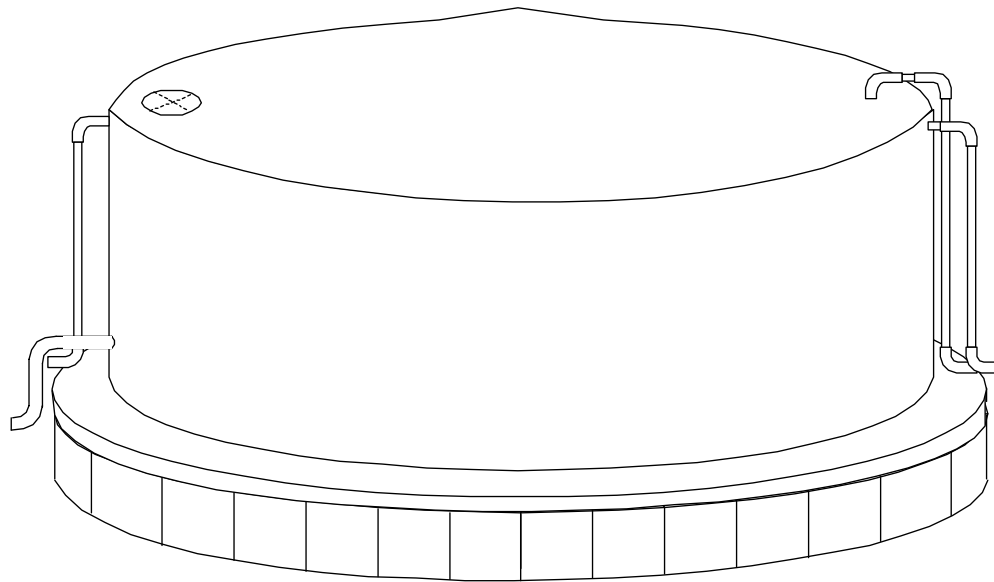


Designed for:

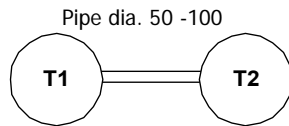


United Nations High Commissioner for Refugees (UNHCR)

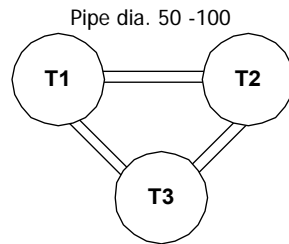
Content	
Drawing Number	Title
CD75-01	Key Features
CD75-02	Plan, Elevation and Section
CD75-03	Foundation Details
CD75-04	Base Slab Details
CD75-05	Wall and Central Column Details
CD75-06	Roof Details
CD75-07	Reinforcing Steel Skeleton
CD75-08	Construction Tools and Steps
CD75-09	Material Specification and BOM



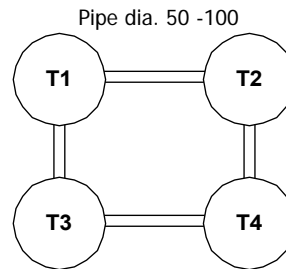
Single Tank



Plan - 2 Tanks

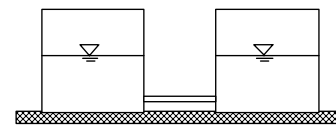


Plan - 3 Tanks

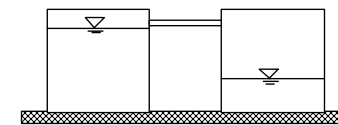


Plan - 4 Tanks

Examples for Connecting Multiple Tanks



For Same Water Head



For Different Water Head
(Overflow Type Connection)

Note: - RB = Round Bar
 - GI = Galvanized Iron
 - All dimensions are in millimeter
 - Foundation height depends upon water head required

Key Features

Capacity	75 Cu. m
Diameter	6700
Height	2700 (2200+500)
Foundation	Compacted Sand/ Soil (thk. = 500) Retained by Hollow Blocks/ Masonry Bricks
Base Slab	Reinforced Concrete (thk. = 120)
Wall	Ferrocement (thk. = 30) Stiffened by Embedded Steel Channels
Roof	Ferrocement (thk. = 30) Stiffened by Embedded Trusses
Central Column	GI Pipe (Diameter = 150) Filled with Mortar
Access Opening	Diameter = 600 (in Roof)
Pipe Work	Intel, Outlet and Over Flow Pipes
Finishing	<ul style="list-style-type: none"> • Inside Plastering Only • Outside Ordinary Paint • No Special Paint/Additives



**Ferrocement Cast-in-place Water Tank
(75 Cu.m.)**

Designed by



School of Civil Engineering (AIT)



Drawing Title:

Key Features

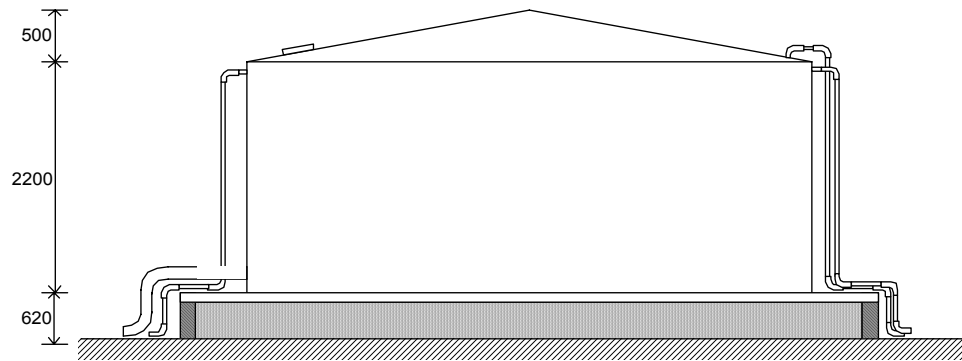
Scale: Not to Scale

Client: UNHCR

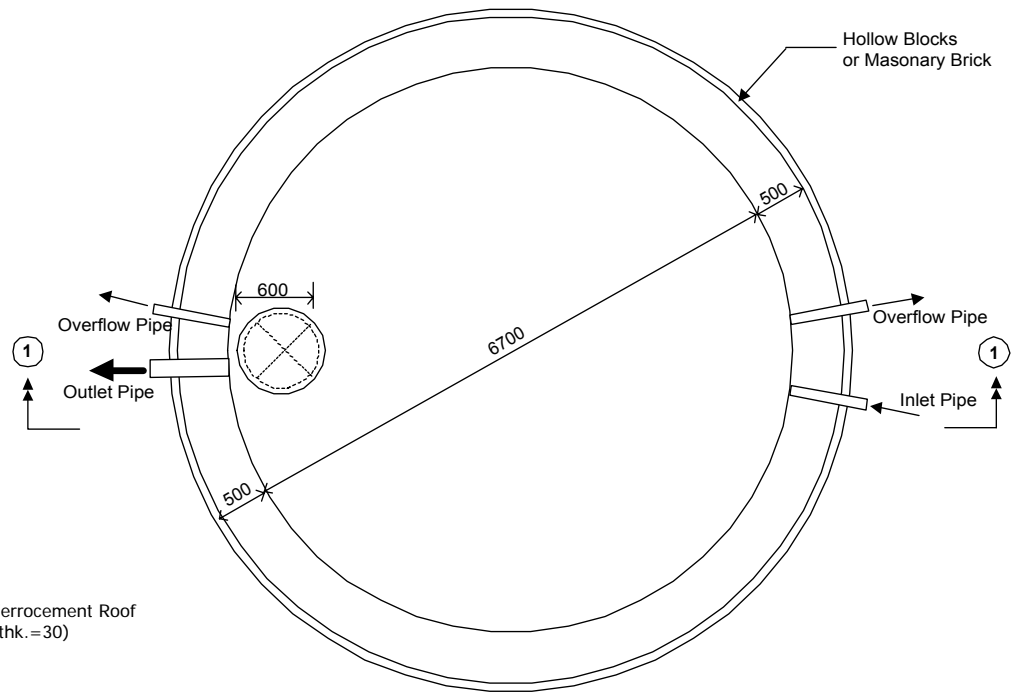
Drawing No:

CD75-01

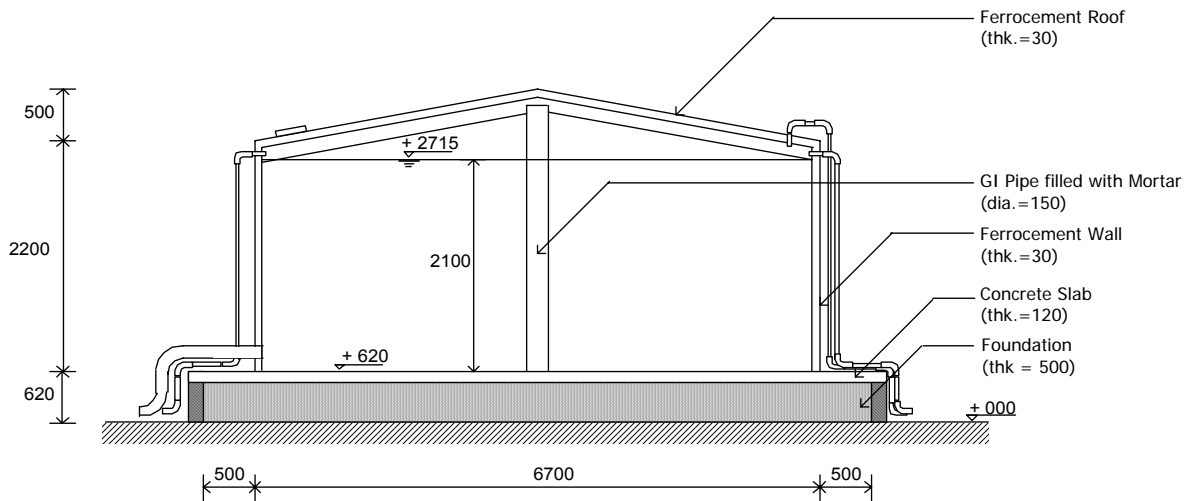
Date: March 2002



Elevation



Roof Plan



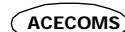
Section 1-1

Note: - RB = Round Bar
 - GI = Galvanized Iron
 - All dimensions are in millimeter
 - Foundation height depends upon water head required

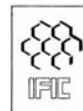


**Ferrocement Cast-in-place Water Tank
 (75 Cu.m.)**

Designed by



School of Civil Engineering (AIT)



Drawing Title:

Plan, Elevation and Section

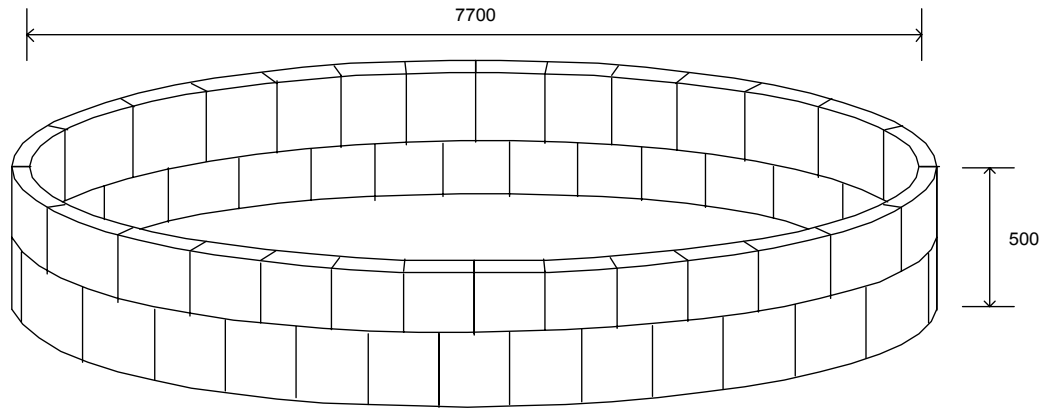
Scale: Not to Scale

Client: UNHCR

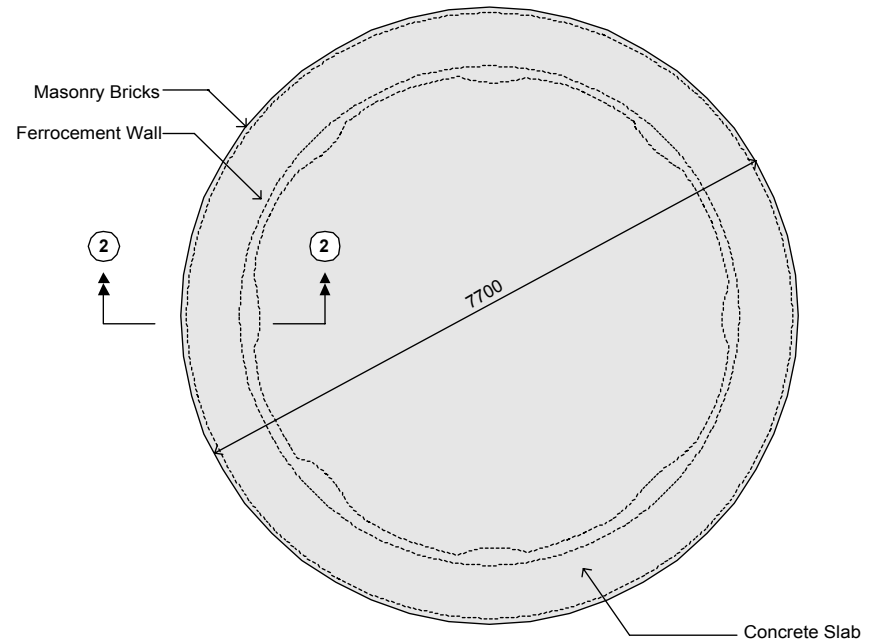
Drawing No:

CD75-02

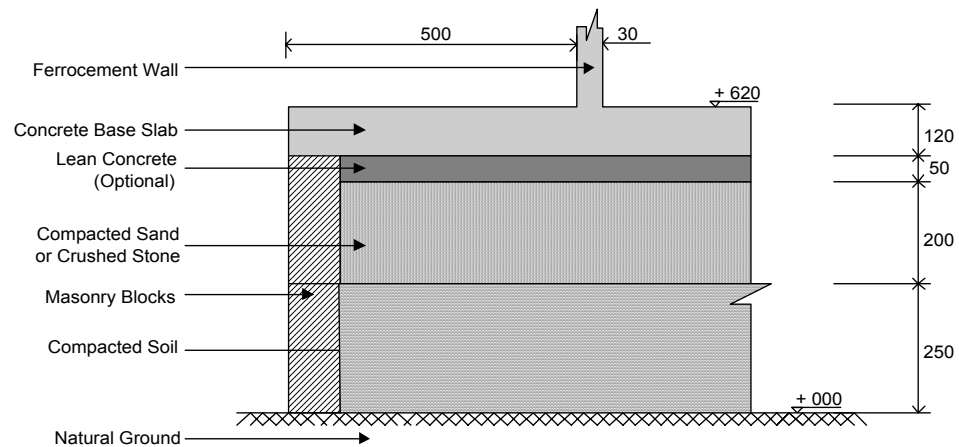
Date: March 2002



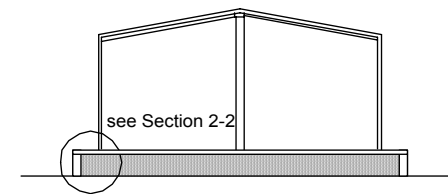
Masonry Brick Layout



Foundation Plan
(Level + 620)



Section 2-2: Foundation Detail



see Section 2-2

Note: - RB = Round Bar
- GI = Galvanized Iron
- All dimensions are in millimeter

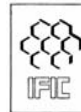


Ferrocement Cast-in-place Water Tank
(75 Cu.m.)

Designed by



School of Civil Engineering (AIT)



Drawing Title:

Foundation Details

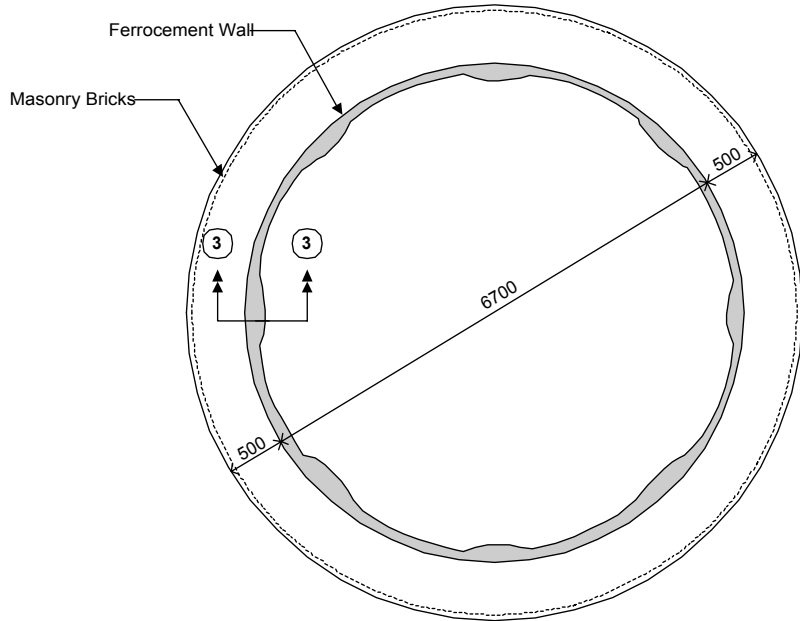
Drawing No:

CD75-03

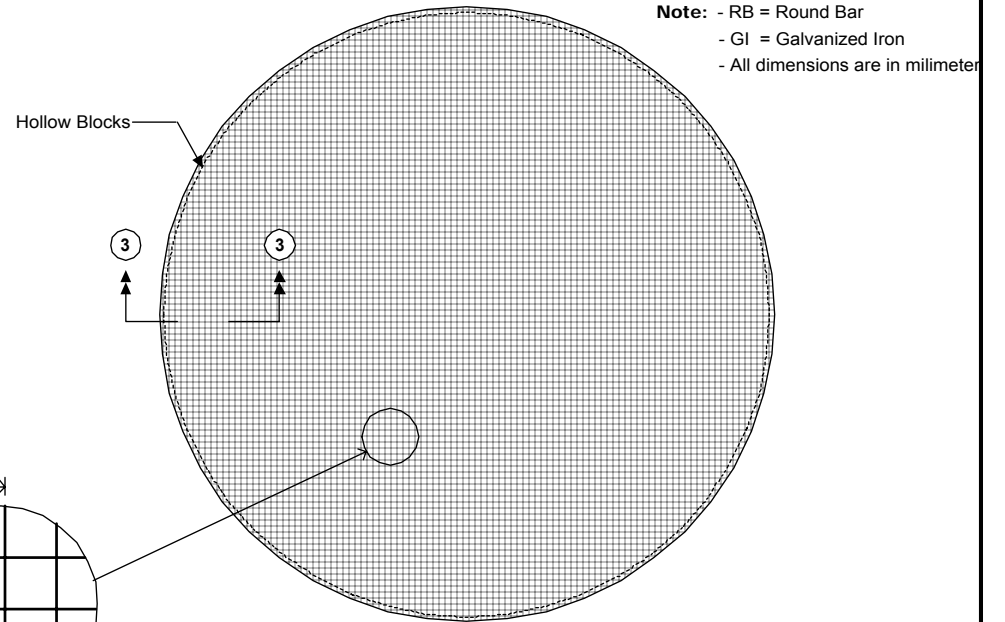
Scale: Not to Scale

Client: UNHCR

Date: March 2002

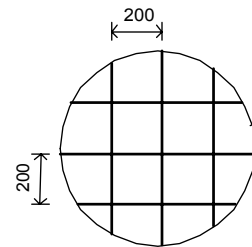


Water Tank Plan

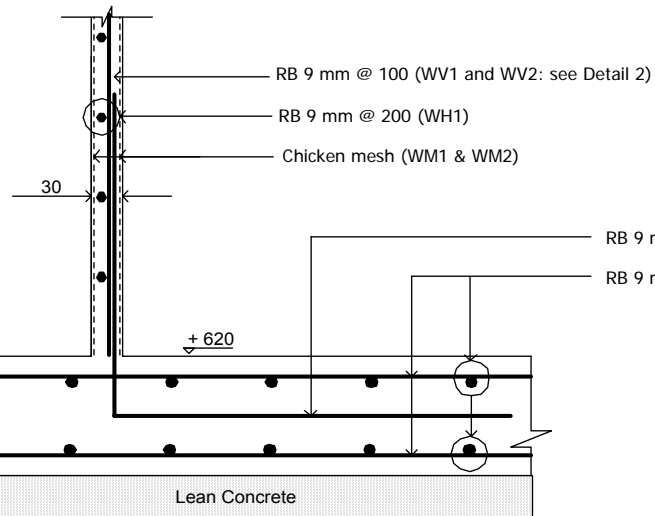


Base Slab Reinforcement Detail

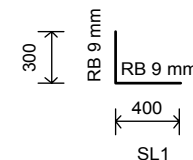
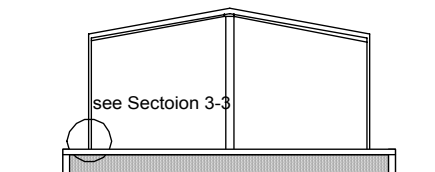
Note: - RB = Round Bar
 - GI = Galvanized Iron
 - All dimensions are in millimeter



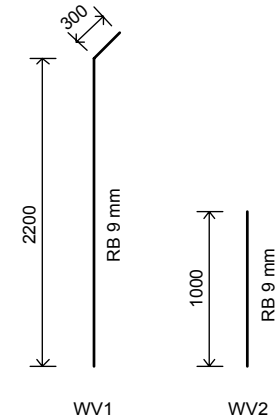
RB 9 mm @ 200 #
 (ST1 & SB1: 2 Layers)



Section 3-3: Slab Detail



Detail 1

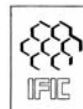


Detail 2



**Ferrocement Cast-in-place Water Tank
 (75 Cu.m.)**

Designed by
ACECOMS
 School of Civil Engineering (AIT)



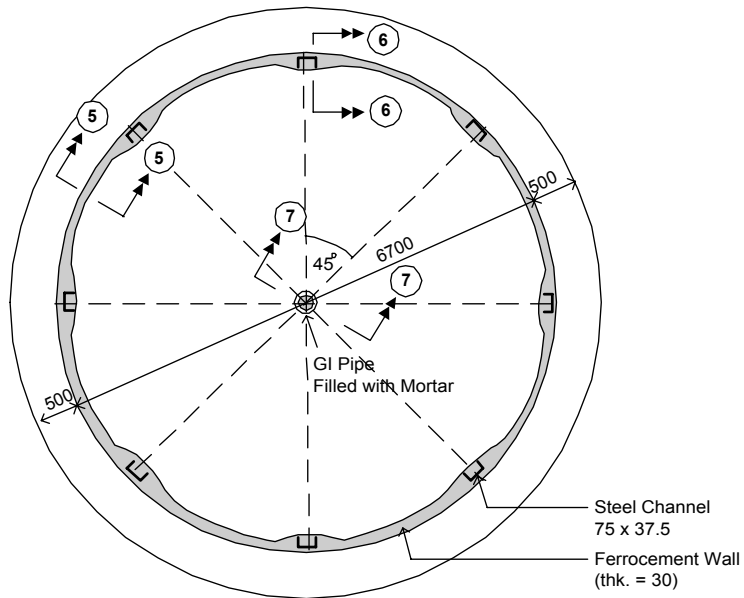
Drawing Title:
Base Slab Details

Drawing No:
CD75-04

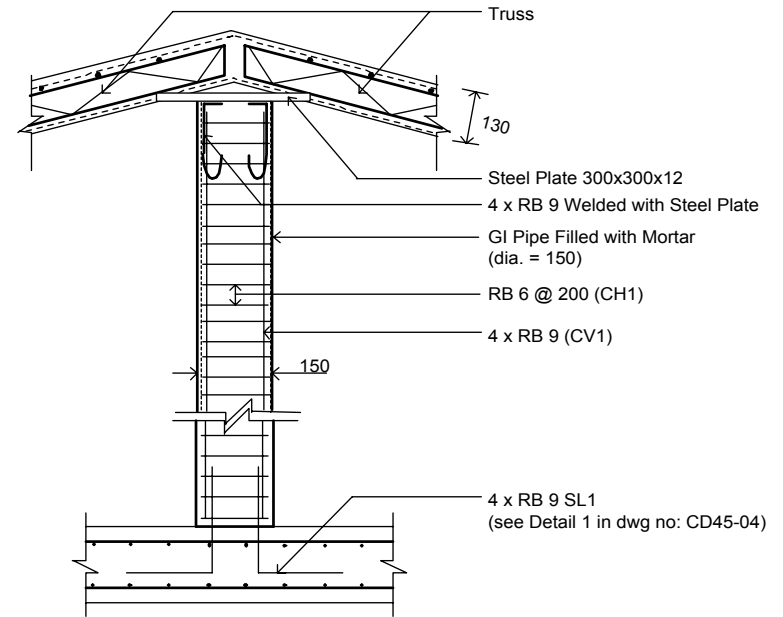
Scale: Not to Scale

Client: UNHCR

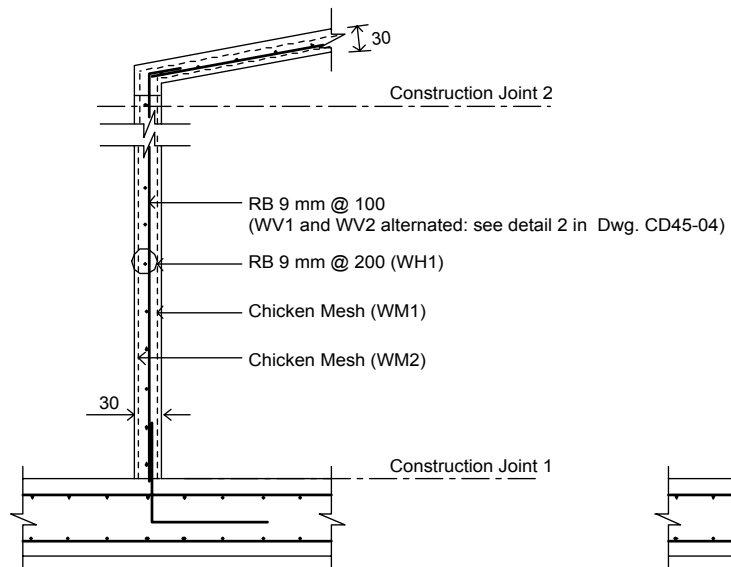
Date: March 2002



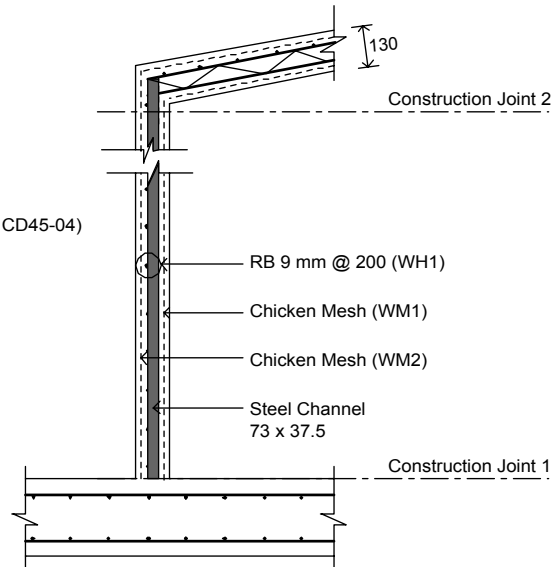
Section 4-4: Water Tank Wall Section



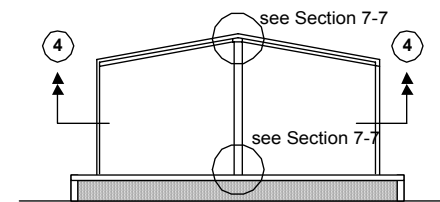
Section 7-7: Central Column Detail



Section 5-5



Section 6-6



Note: - RB = Round Bar
 - GI = Galvanized Iron
 - All dimensions are in millimeter



UNHCR

**Ferrocement Cast-in-place Water Tank
 (75 Cu.m)**

Designed by

ACECOMS



School of Civil Engineering (AIT)

Drawing Title:

Wall and Central Column Details

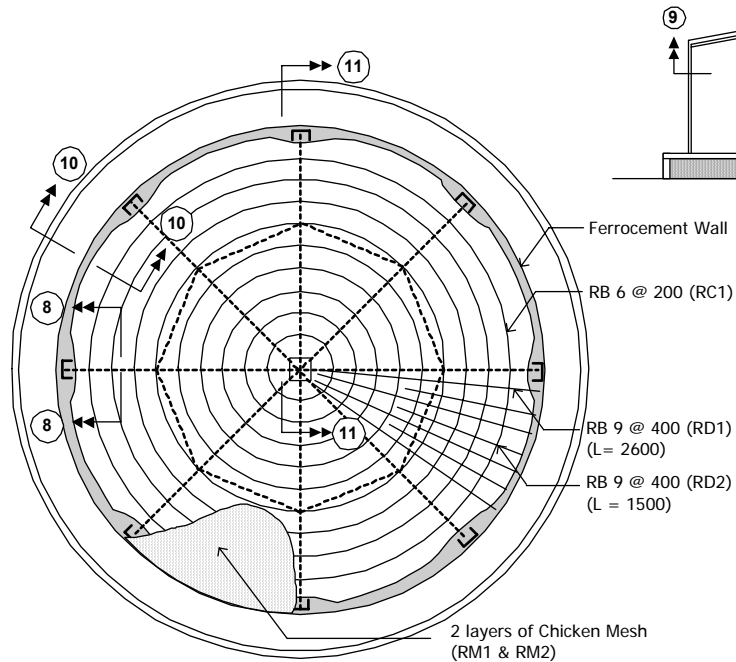
Scale: Not to Scale

Client: UNHCR

Drawing No:

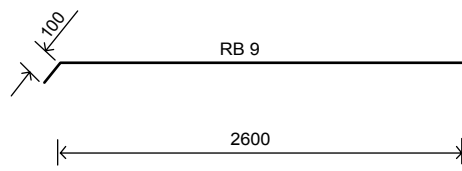
CD75-05

Date: March 2002

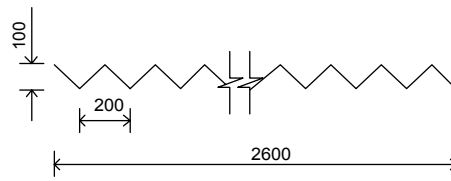


Section 9-9: Roof Framing Plan

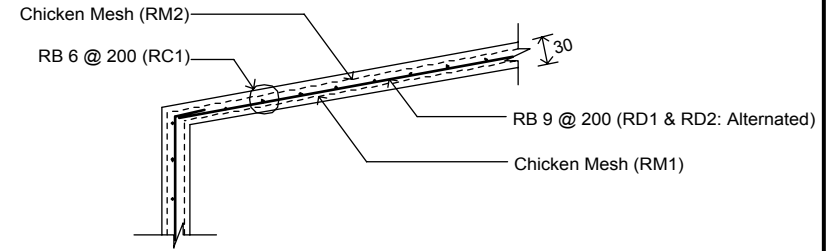
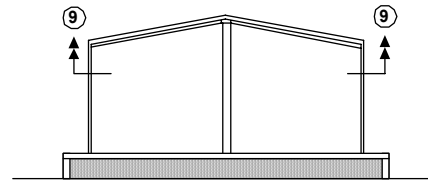
- Steel Channel 75 x 37.5
- Truss (see Section 11-11)



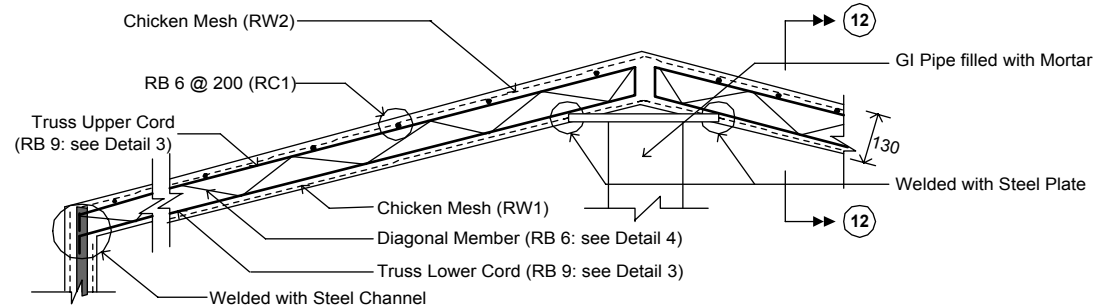
Detail 3: Truss Upper and Lower Cord Detail



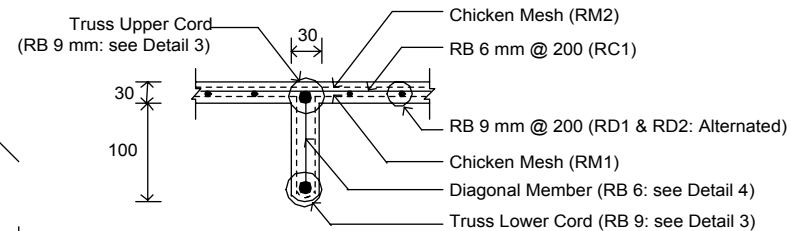
Detail 4: Diagonal Member Detail Welded to Upper and Lower Chord



Section 10-10: Roof Slab Detail



Section 11-11: Truss Detail



Section 8-8: Truss Section

Note: - RB = Round Bar
 - GI = Galvanized Iron
 - All dimensions are in millimeter



**Ferrocement Cast-in-place Water Tank
 (75 Cu.m.)**

Designed by



School of Civil Engineering (AIT)



Drawing Title:

Roof Details

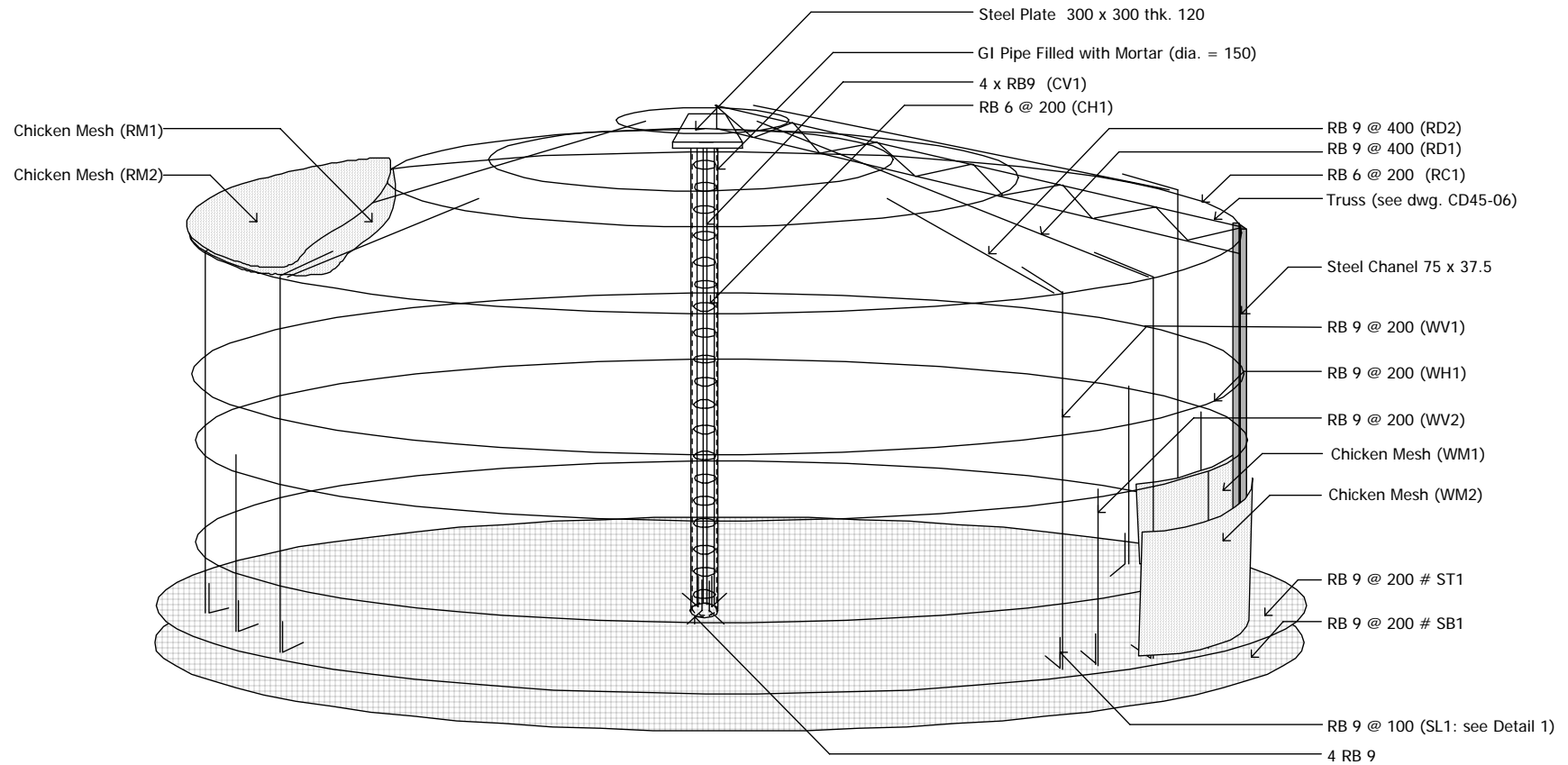
Scale: Not to Scale

Client: UNHCR

Drawing No:

CD75-06

Date: March 2002



Note: Only Selected Typical Elements Shown

Note: - RB = Round Bar
 - GI = Galvanized Iron
 - All dimensions are in millimeter



Ferrocement Cast-in-place Water Tank
 (75 Cu.m.)

Designed by



School of Civil Engineering (AIT)



Drawing Title:

Reinforcing Steel Skeleton

Scale: Not to Scale

Client: UNHCR

Drawing No:

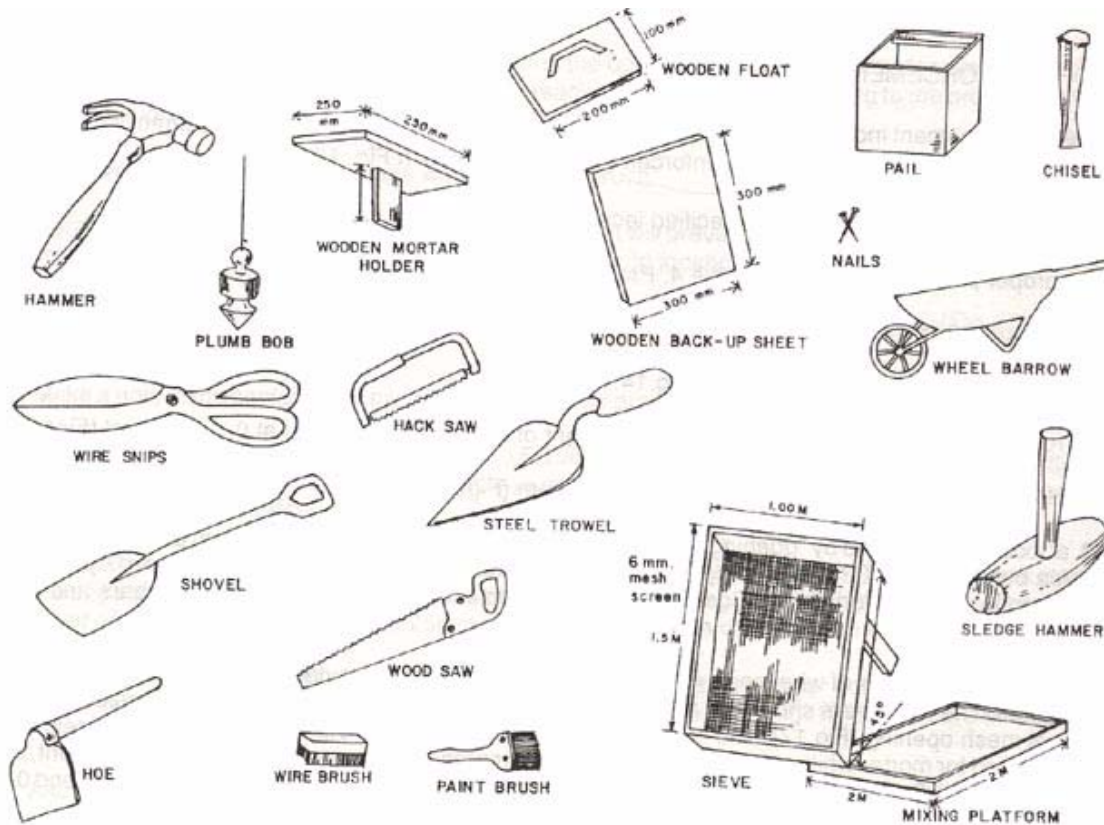
CD75-07

Date: March 2002

Construction Main Steps

- Step 1: Selection of Site
- Step 2: Site Clearance
- Step 3: Preparation of Foundation
- Step 4: Preparation of Lean Concrete Base
- Step 5: Preparation of Base Slab Reinforcement
- Step 6: Laying Base Slab Reinforcement
- Step 7: Erecting L-bars Along the Wall-Base Junction
- Step 8: Placing Vertical Dowel/ Plate/ Bars for Central Column
- Step 9: Casting the Base Slab
- Step 10: Erection of Vertical Reinforcement and Stiffeners for Wall
- Step 11: Keeping Openings for Construction and Pipe Works
- Step 12: Fixing Wire (Chicken) Mesh (WM1 and WM2)
- Step 13: Preparation and Fixing the Central Column
- Step 14: Plastering the Wall
- Step 15: Preparation of Roof Shallow Truss
- Step 16: Fixing Roof Trusses (Roof Stiffeners)
- Step 17: Placing Roof Reinforcements
- Step 18: Fixing the Roof Mesh
- Step 19: Providing Openings in the Roof
- Step 20: Plastering Roof Trusses
- Step 21: Temporary Formwork for Plastering of Roof Surface
- Step 22: Plastering Roof Surface
- Step 23: Plastering Temporary Openings
- Step 24: Finishing the Surface

[For Construction Procedure Details Refer to "How to Manual"]



Ferrocement Construction Tools



Ferrocement Cast-in-place Water Tank
(75 Cu.m.)

Designed by

ACECOMS

School of Civil Engineering (AIT)



Drawing Title:

Construction Tools and Steps

Scale: Not to Scale

Client: UNHCR

Drawing No:

CD75-08

Date: March 2002

Material Specification

Cement: Use ordinary Portland cement Type I or II for tropical countries and Type II for cold climates

Sand:

1. Use well graded sand. Sand that is too fine or too coarse is not suitable
2. Separate sand from stone using 6.4 mm (1/4 inch) mesh screen.
3. No organic or chemical impurities. If quality is in doubt, wash with clean water.
4. Desirable sand grading is as follow:

Sieve	Percent passing
3/8 in (9.5mm)	100
No. 4 (4.75mm)	95 to 100
No. 8 (2.36 mm)	80 to 100
No. 14 (1.18mm)	50 to 85
No. 30 (600um)	25 to 60
No. 100 (150um)	2 to 10

Water:

1. Water fit for drinking is suitable.
2. Salty water should never be used.

Wire Mesh:

1. Must be easy to handle and flexible enough to be bent around corners.
2. Galvanized wire mesh is preferred as it is less likely to rust or corrode.
3. Use 0.5 mm to 1.00 mm diameter with 10 mm to 25 mm mesh opening.
4. Free from grease, oil, rust and anything that might reduce bond.

Skeletal Steel :

1. Free from grease, oil detergents, organic matter, cracks of blow holes.
2. Bars are acceptable if no cracks appear after the following field test:
"Bend bar into U shape and then straighten it out. Bend it again in U shape in the opposite direction and straighten it out."
3. Grade SR24: Yield strength = 2400-2600 ksc

Steel Channel:

1. Free from grease, oil detergents, organic matter, cracks of blow holes
2. Size 7.50 cm x 3.75 cm (height x width)
3. Grade $F_y = 2400-2600$ ksc (34-36 ksi) and $F_U = 4,000-4,500$ ksc (57-64 ksi)

Tie Wire: Use annealed (soft) galvanized wires of 24 or 26 gauge. Cut pieces of wire from meshes could also be used for tying.

Material Quantity Summary (75 cu. m.)

Items	Quantity	Unit
Coarse Sand	21	m ²
Hollow Blocks	180	pieces
Cement	4553	kg
Sand	6	m ²
Stone	7	m ²
Water	2.4	m ²
RB 6 mm	242	m
RB 9 mm	1976	m
Steel Channel (7.50 cm x 3.75 cm)	18	m
Chicken Mesh	168	m ²
GI Pipe	2.7	m
Steel Plate	0.09	m ²

Mix Proportions

Lean Concrete = 1:4:8 (Cement: Sand: Aggregate by weight)

Slab Concrete = 1:2:4 (Cement: Sand: Aggregate by weight)

Ferrocement Mortar = 1:2:0.4 (Cement: Sand: Water by weight)

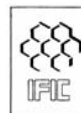


Ferrocement Cast-in-place Water Tank
(75 Cu.m.)

Designed by

ACECOMS

School of Civil Engineering (AIT)



Drawing Title:

Material Specification and BOM

Scale: Not to Scale

Client: UNHCR

Drawing No:

CD75-09

Date: March 2002